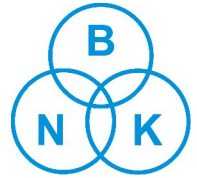


# Obonok Technologies



## Blu-Wire™ RD1-XP

**Daisy-chain, high-performance  
HDMI-over-UTP Receiver**

*Enabling High Definition—Everywhere!*

### Features

- Extends HDMI v1.3 + HDCP over a wide variety of single UTP (CatX) cable
- RJ-45 link out for daisy-chaining (linking) to downstream receivers
- Extension distances up to 200' / 61m or 2000' / 610m via daisy-chaining - up to ten receivers may be linked
- Auto Gain / Auto EQ = adjustment-free for plug-and-play installation
- Proprietary signal mgt. technologies



Obonok Technologies designs, develops and produces the Blu-Wire™ Series, the world's leading technology for HDMI signal distribution over category cable. The Blu-Wire RD1-XP HDMI Receiver provides a cost-effective and installer-friendly method of extending HDMI plus HDCP signals over a single UTP (unshielded twisted pair) cable up to 2,000 ft. (610m) by linking successive receivers. Unlike other methods that require additional transmitters, the Blu-Wire RD1 provides true daisy-chaining from a single transmitter.

Obonok's Blu-Wire Series is the only HDMI extension product that gives you the capability of distributing HDMI to 160 displays from only two transmitters! Extension range can even be several km with multimode fiber versions! Plus, NO adjustments for ease of installation and maintenance, NO compression, NO analog conversion and full 1080p, deep color and audio high performance.

### Obonok Technologies

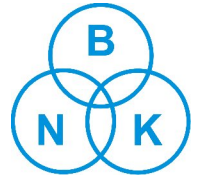
16192 Coastal Highway  
Lewes, DE 19958

Phone: 512-299-8424

Website: [www.obonok.com](http://www.obonok.com)

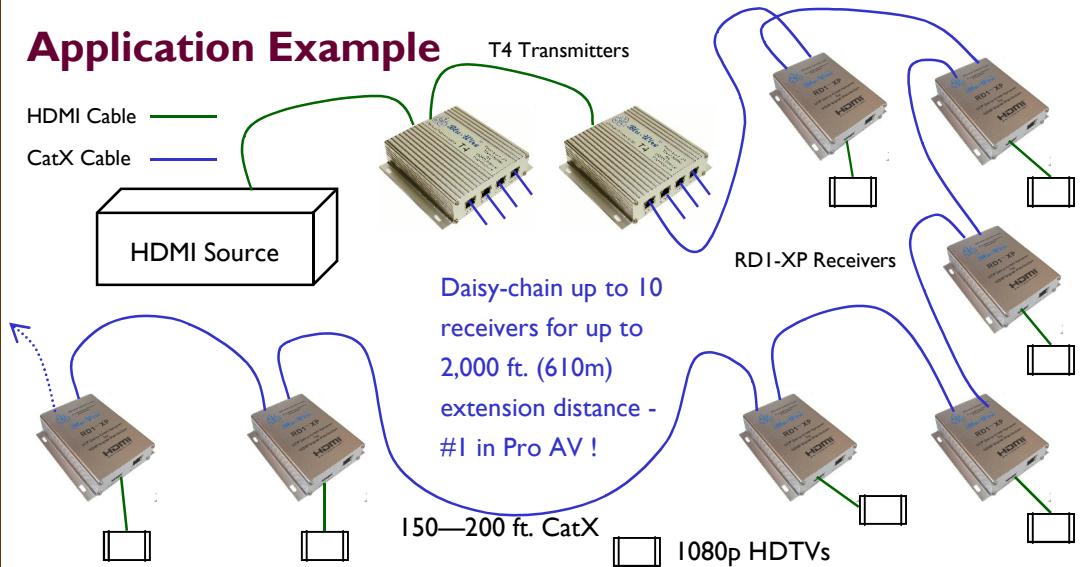
E-mail: [sales@obonok.com](mailto:sales@obonok.com)

# Blu-Wire™ RD1-XP



Daisy-chain HDMI Receiver / High-performance

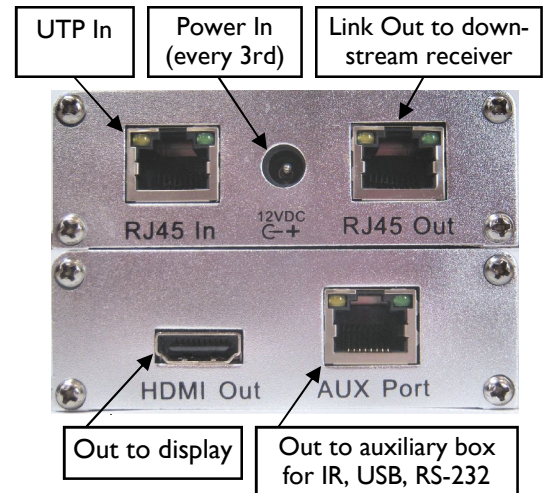
## Application Example



## Specifications

- Total Bandwidth: 6.6 Gbps
- Maximum Resolution: 1080p / 1920 x 1200
- Max. Extension Distance: 200 ft. / 61m @ 1080i; 150 ft. / 46m @ 1080p (to first receiver or between daisy-chained receivers)
- Max. Daisy-chain length: 10 receivers @ 1080i, 8 receivers @ 1080p
- HDMI Connectors (1): Type A 19-pin F
- Link Connectors (3): RJ-45 F (one AUX)
- Power Supply: 12V DC (incl.); 6W max. cons.
- Operating Temperature: -15C to 50C
- Storage Temperature: -40C to 85C
- HDMI Specifications Supported: 1.1, 1.2 & 1.3
- HDCP Specifications Supported: 1.1, 1.2 & 1.3
- Cable Compatibility: Single, standard Cat5e/6/7 (Cat6 or Cat7 required for 1080p applications)
- Gain/EQ: Automatic / no adjustments needed

## Front/Back Connections



- Dimensions: 116mm L x 80mm W (not including mount wings) x 28mm H
- Patents Pending: U.S. 60956694 and 60968046

## Recommended UTP Cables

- Obonok HD Primer 0668 Cat6
- Belden Home Choice 2510 Cat6
- Shaxon UL725-8 Cat6
- Belden 1872A Cat6
- Belden 7988R Cat5e

## Obonok Technologies

16192 Coastal Highway  
Lewes, DE 19958

Phone: 512-299-8424

Website: [www.obonok.com](http://www.obonok.com)

E-mail: [sales@obonok.com](mailto:sales@obonok.com)

