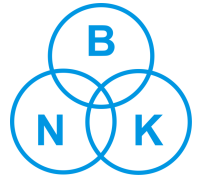


Obonok Technologies



**Blu —
Eye™**

T1F-3D TRANSMITTER / RD1F-3D RECEIVER

HIGH BANDWIDTH FOR 3D VIDEO
PLUS HD AUDIO APPLICATIONS

Enabling High Definition—Everywhere!

Features

- 10.5 Gbps extends / distributes 3D HDMI + HDCP over single multimode fiber
- HDMI Local Out for cascading to a 2nd transmitter or for local HDTV
- AUX port for adding control signals: RS-232, IR, USB
- Daisy-chain 1080p over UTP
- Extends 1080p/60/3D to 1200m*
- Easy EDID configuration
- Auto Gain / Auto EQ = adjustment-free



Obonok Technologies designs, develops and produces the Blu-Eye™ Fiber Series, the world's leading technology for HDMI signal distribution over single multimode fiber. The Blu-Eye T1F-3D Transmitter and RD1F-3D Receiver provide a cost-effective and installer-friendly method of extending HDMI plus HDCP plus control signals, within 1200 meters for 3D and 1080p/60 Hz. The RD1F-3D Receiver can then be daisy-chained over standard UTP/Cat 6 cable up to eight times at 150 ft. per hop, in order to distribute HDMI within a room.

Obonok's Blu-Eye and Blu-Wire Series are the only HDMI extenders offering a multiple-output transmitter (T3-XP UTP Transmitter), tree-structured signal distribution over fiber and/or UTP, dual HDMI Out receiver for back-to-back displays (RD2-XP) and up to a mile of total range for large-scale applications.

* 2500m with OM3 or better optical fiber

Obonok Technologies

16192 Coastal Highway
Lewes, DE 19958

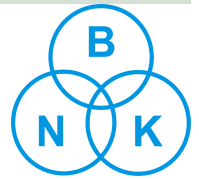
Phone: 512-299-8424

Website: www.obonok.com

E-mail: sales@obonok.com

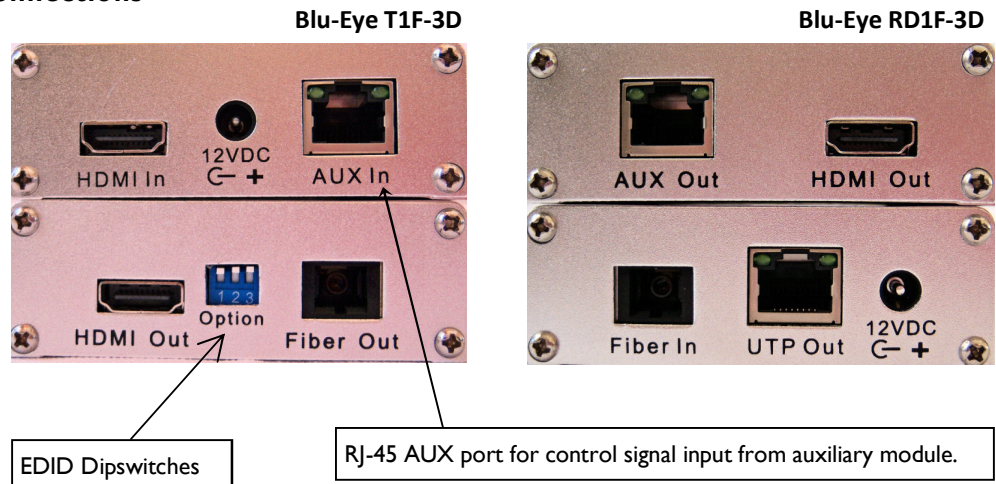
Blu -

3D Fiber Series



T1F-3D Fiber Transmitter and RD1F-3D Daisy-chain Fiber Receiver

Connections



Blu-Eye 3D Fiber Series—Specifications

- Total Bandwidth: up to **10.5 Gbps**
- Light Wavelengths: 980/911/850/825/800/788nm
- Cable Compatibility: Multimode fiber with SC connectors; solid bonded Cat 5e/6/7 for UTP (link out from the RD1F-XP Receiver for daisy-chaining)
- Recommended Fiber: OM3 Multimode Fiber, 50/125µm (to support 3D bandwidth)
- Fiber Outputs: SC-type Female
- UTP Outputs: RJ-45 Female
- HDMI Specifications Supported: v1.1, 1.2, 1.3, 1.4
- HDCP Compliant
- Maximum Resolution: 1080p/60/3D or 1900x1200
- Maximum Distance to 1st Receiver: 1200m/3900' via fiber; 50m/164' via UTP
- Maximum Daisy-chain Length: seven additional UTP receivers from UTP Out (daisy-chain link)
- Power Supply: 12V DC (included)
- Power Consumption: 6 watts (max.)
- Operating Temperature: 0C to 50C
- Storage Temperature: -40C to 85C
- T1F-3D / RD1F-3D Dimensions: 116 mm L x 80 mm W (not including mount wings) x 28 mm H
- Patents Pending: U.S. 60956694 and 60968046

Recommended UTP Cables

- Obonok HD Primer 0668 Cat 6
- Belden Home Choice 2510 Cat 6
- Shaxon UL725-8 Cat 6
- Belden 1872A Cat 6
- Belden 7988R Cat 5e (Cat 6 highly recommended for 1080p usage)

Obonok Technologies

16192 Coastal Highway
Lewes, DE 19958

Phone: 512-299-8424

Website: www.obonok.com

E-mail: sales@obonok.com

